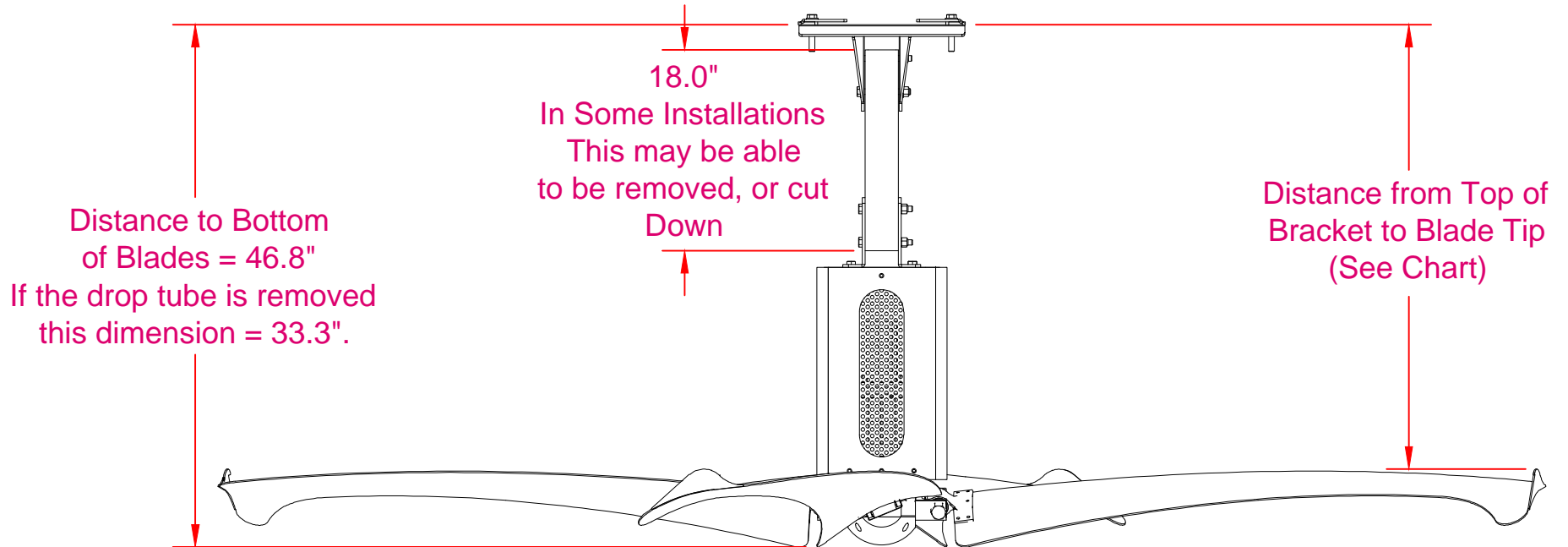


## COMMERCIAL BLADETEC



Diameter ft (mm)	Airflow 3 Blade cfm (cms)	Speed rpm	Weight lb (kg)	Distance From Top of Bracket to Blade Tip*	
				At Rest in (mm)	Full RPM in (mm)
8' (2438)	50,000 (23.6)	20-120	140 (63.6)	40.0 (1016)	40.0 (1016)
10' (3048)	75,000 (35.4)	17-100	145 (65.9)	40.0 (1016)	39.25 (997)
12' (3658)	100,000 (47.2)	13-80	150 (68.2)	40.0 (1016)	38.5 (978)

\* OPTIONAL EXTENSION KIT AVAILABLE TO INCREASE DIMENSION IF NECESSARY.